

The OVH ARC Newsletter
"OLE VIRGINIA HAMS" AMATEUR RADIO CLUB, INC.
Post Office Box 1255, Manassas, Va. 20108
Repeaters -- W4OVH -- 146.970- & 224.660- & 442.200+
OVH Nodes -- 145.030 Port 2: 223.660 (SysOp Use Only) Port 3: 223.540 MHz
BBS--BBSNVA/N4WJN (SYSOP--BILL)

<http://www.qsl.net/olevahams>

OLE VIRGINIA TIMES

MARCH 2000

Next meeting: 20 March 2000

**Committee Chairperson's!!!! Need your
input for the Newsletter!!!**

(Editor)

Greetings OVH,

Here it is March of 2000 and OVH continues to have many "irons in the fire." You are reading this from an OVH Director, (not a Club President), because no member has stepped forth to volunteer their services for this important job. The three Directors will take turns conducting the meetings in the interim until a Club President can be found.

At this month's meeting, Art, KW4AW, will demonstrate a Pixie II QRP rig and some QRP Test Equipment. Some club members have recently built these little "rigs" and are enjoying their use.

We want to say Thank You to the Outgoing Club Officers for their unselfish dedication to the club over the past year – or two in some cases. Cathy/AE4UM, Steve/N4OGR and Lloyd/N4OOM spent many hours arranging for programs and fulfilling club activities – their efforts were greatly appreciated. JOB WELL DONE!!! We also want to say thanks to Bill, N4WJN for staying on as Treasurer for another year – his expertise is certainly welcome.

We're looking forward to another great year ahead for OVH and it's many upcoming activities such as the Manassas Hamfest, Field Day, License Classes, VE Testing, etc. The new club officers will be beginning their duties and participation with this month's meeting – good luck to them and let's give them all the support that we can.

Butch Blasdell W4HJL

**"OLE VIRGINIA HAMS"
Post Office Box 1255
Manassas, VA. 20108**

OFFICERS

President:

Vice Pres: John Palcer K4KGU 540-347-3391

Secretary: David Lane KG4GIY 361-3042

Treasurer: Bill South N4WJN 590-9562

DIRECTORS

Don (Butch) Blasdell W4HJL 369-2877

Art Whittum KW4AW 791-4330

John Fritsch N4YOB 791-5995

WEEKLY NETS

Thursdays - 8:00 PM KV4AP (Jeff) 361-5865

Sundays - 8:00 PM

HAMFEST 2000

Jack N4YIC 335-9139

FIELD DAY 1999

Bill N4WJN 590-9562

Wes N5RTY 368-8544

J.O.T.A. (Scouts)

John N4YOB 791-5995

MEMBERSHIP CHAIRMAN

Jeff KV4AP 361-5865

NEWSLETTER

Steve KB4OF 368-6901

NEWSLINE

Jeff KV4AP 361-5865

PACKET

Alan KD4KBX 330-8844

Bill N4WJN 590-9562

PICNIC

Ellie KF4NBO 361-8059

PROGRAM'S

TBD

PUBLICITY

CLUB ROSTER

Blaine KB4RKL 369-2877

EDUCATION

Charlie WA4YGI 361-3091

Bill K4WRG 754-7913

CLUB EMERGENCY COORDINATOR

Brian KE4NFK 257-9545

ARES AREA EMERGENCY COORDINATOR

Erv KT4DS 335-1029

F.A.R. REP.

Ruth KU4WH 331-1234

Mary Lu KB4EFP 369-2877

FINANCE

Mike WV3H 753-9346

Pete KB4RME 369-2436

Mary Lu KB4EFP 369-2877

Bill N4WJN 590-9562

GENERATORS

Tommy KA4AFU 369-2741

HISTORIAN

T B D

HOME PAGE

Bill N4WJN 590-9562

Steve N4OGR 361-0008

Q' MASTER

Jim N3ODZ 361-2543

REPEATER CONTROLLERS

Art KW4AW 791-4330

Butch W4HJL 369-2877

Milt N4SN 369-7265

Mike WV3H 753-9346

Steve N4OGR 361-0008

Alan KD4KBX 330-8844

Steve KB4OF 368-6901

REPEATER TRUSTEE

Art KW4AW 791-4330

SCHOLARSHIP

Jack N4YIC 335-9139

SUNSHINE

Jan KE4TMW 257-0897

TECHNICAL COMMITTEE

Art KW4AW 791-4330

Alan KD4KBX 330-8844

Bill N4WJN 590.9562

Butch W4HJL 369-2877

Mike WV3H 753-9346

Blaine KB4RKL 369-2877

Jimmy WA2QEJ

The OVH Times is the official publication of the "Ole Virginia Hams" ARC, a non-profit organization dedicated to the promotion and enhancement of Amateur Radio. The OVH ARC meets at 8:00 PM every third Monday of the month at the NOVEC Tech Center in Gainesville. Prospective members are invited.

Local information can always be obtained, at any time, through the usage of the OVH repeaters (146.97- & 224.660-Mhz). All are welcome.

Permission is hereby granted for the reprinting of articles and quotations in this letter, provided full credit is given to the OVH ARC, and the author of the article. Contribution of printed articles by both members and non-members is encouraged. The deadline for submissions is the 5th of each month. Submissions should be forwarded to OVH TIMES EDITOR: Steve Meade KB4OF, PO Box 1418, Manassas, VA 20108-1418, or to sameade@erols.com

Letters to the Editor and Classified Ads are accepted and welcome. Approx. Circulation - 170

Minutes of OVH Meeting

21 February, 2000

The meeting started at 8:02 PM.

After the pledge of allegiance, all present stated their name and call sign.

There were 23 members and 1 guest present.

Program: The speaker scheduled for tonight had to cancel for personal reasons.

Old Business:

The past months minutes and the current financial report were approved.

The Nokesville Fun Run and Bike Ride has been canceled for the spring. It will be held again in the fall. The fall activity is supposed to be a larger activity.

OVH President, Cathy Whalen / AE4UM thanked the current OVH club officers for all of their contributions during the past year.

The Prince William County Citizens Police Academy will be starting on 5 April 2000. If anyone is interested, the phone number to call is 703-792-6599.

Ruth / KU4WH was recognized with a gift for being our FAR representative, and helping with many other OVH projects.

Committee Reports:

Repeater - Art / KW4AW: Art is still working on the 440 repeater. The exciter is working. Art is now working on the 40-watt module. It is hoped that the output will be 50 to 75 watts when

finished. A reminder to get your OVH dues turned in, as the autopatch access code will change at the end of March.

Some of the OVH members are building QRP rigs. Art is working on a low cost meter to use to verify the output for these rigs.

The OVH finance committee met to plan the budget for the new year. The planned budget was discussed briefly. The amount planned for the OVH scholarships was also discussed.

Scholarships - Jack / N4YIC: Information about the OVH scholarships has been sent out to the schools. One additional school was included this year.

Hamfest - Jack / N4YIC: Information about the Hamfest has been sent out to 100 vendors that attend our Hamfest. Jack also faxed the OVH Hamfest flier to additional 150 vendors, hoping to drum up more business. He has also contacted all of the ham radio magazines. Several of these provide materials to hand out at the Hamfest, also some free subscriptions to use as prizes. The ARRL provides mailing address labels for all the clubs in the region (about 300).

The possibility of Licensing exams being held during the Hamfest could be an additional item to increase the attendance. It looks like there is sufficient interest to make it a good possibility.

There was some discussion of the place to hold the exams, and whether there is enough VE's to staff and exam session. It appears that this can be in place for the Hamfest.

LICENSE PREPARATION CLASSES - Bill / K4WRG:

Advertisements are ready. The classes will run Tuesday nights from 28 March through 30 May. The text is the ARRL publication "NOW YOU ARE TALKING", the 3rd edition. Art / KW4AW briefly discussed the question pools for the exams.

New Business:

Baltimore Hamfest – 24 Mar through 26 Mar, at the Maryland State fairgrounds, They are looking for hams to assist them at the Hamfest. There are several benefits to assisting.

Harry / W4PVA has a telephone handset amplifier which is available for anyone who could make use of it. He also discussed briefly some of the techniques used in previous years to verify transmitter output. For instance the use of a flashlight lamp in series with the transmitter output. You would tune for maximum light level.

OVH club elections:

Ballots were passed out, so that voting could be done during the break.

No one has yet agreed to be president. If you can find someone to agree, please write him or her in.

Break:

The ballots were counted, and the results were announced.

Vice president: John Palcer / K4KGU

Secretary: David Lane

Treasurer: Bill South / N4WJN

President: Still open and until someone is willing to volunteer the OVH directors will take turns conducting the OVH meeting and activities.

Membership:

A new membership application was read in for Joseph Ford N6GDJ.

Congratulations to the new club officers, and a big thank you to all those who have assisted the club in the past year.

SUNSHINE CORNER

Happy March Birthday to our fellow Hams: **Matthew/KC4ZPM**, **Scott/KE4LYN**, and **Rita/KE4TMU**!

I understand Congratulations are in order for **Alan/KD4KBX**, for upgrading to **General**, but I don't find evidence of it on **Buckmaster**! I've also heard rumors that others have upgraded, but again, can't find the evidence, and haven't been notified.

Please notify me of any events in your Ham life, certainly, but also in your "other" life -- birthdays, births, deaths, marriages, upgrades, anything you'd like your fellow Hams to know! (**Birthdates are no longer posted by the FCC**, so I don't have them for many of you -- you might want to check with me, so you aren't disappointed when your birthday rolls around, and I don't let folks know!)

You may contact me by phone at 703.257.0897, on email at jansteve@erols.com, or on the radio, of course!

73 de Jan KE4TMW

Overdue Credit!

The following dedicated OVH members need to be 'exposed' for helping in the '99 club year:

The Directors, The '99 Officers, All Committee members, Especially: **Steve/KB4OF**: our OVT's editor, **Jack/N4YIC**: HFest, Scholarship, **Butch/W4HJL** & **MaryLu/KB4EFP**: who are THE HELP, **Art/KW4AW**: Rptr Trust, Tech, behind-the-scenes detail, **Steve/N4OGR**: multi-faceted talents, **Bill/N4WJN**: Hpage/packet, Fday, **Ruth/KU4WH**: FAR Rep, advertsg, education,

finance. **And..... all the other hard-working OVH folks** who gave their time and abilities to make the Club Year a GO!

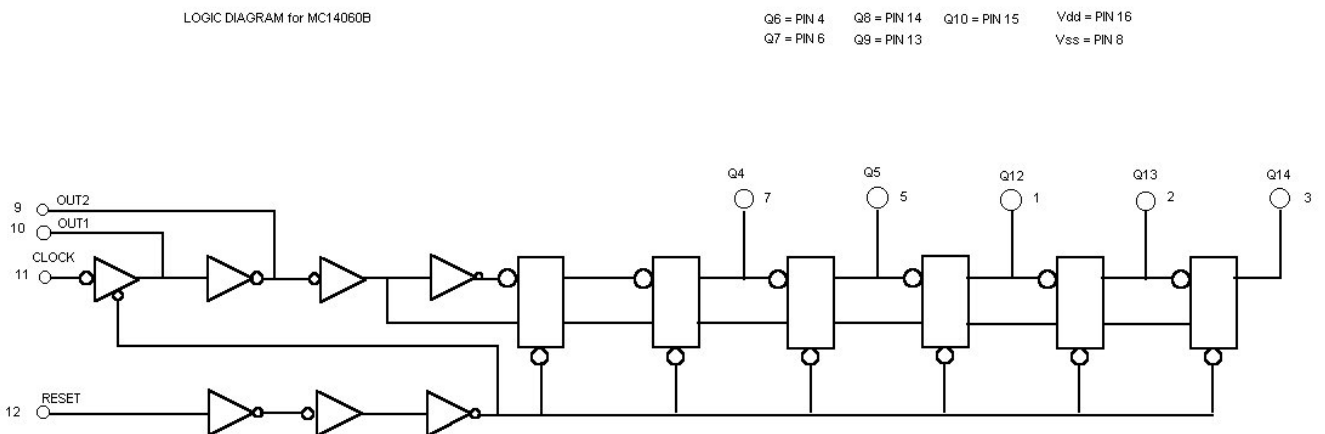
In appreciation, and 73 to all, Cathy/AE4UM ☐

Marker Generator Project

Some OVH members will soon be constructing another solid state project for the shack. A marker generator to provide test signals for receiver calibration and general frequency checks. The ARRL Handbook and QST have published several designs for marker generators, and they are good ones. But the VE3DNL Marker Generator kit is a neat project because it uses only one IC, one resistor, three capacitors and a crystal to accomplish its purpose. Which is to generate marker signals at 40 kHz, 20 kHz, 10 kHz or 5 kHz intervals throughout the HF spectrum.

One IC! Well, the IC is a CD4060B (or equal) which consists of an on-board oscillator/buffer and fourteen master-slave flip-flops. We get the appropriate marker signals by providing a "binary-friendly" crystal frequency to the oscillator then feeding it to the chain of fourteen flip-flops. The frequency gets divided by two through each flip-flop in ripple fashion. This provides a halved frequency at each flip-flop output and it is just a matter of picking the outputs desired and connecting them to a convenient output lug. Digging deeper, the IC has 397 FETs to "make it happen!" Try getting that all done with discrete components and a sixteen pin outline! Back in the old days, enough vacuum tubes to make an oscillator, buffer and 14 flip-flops would fill several drawers in an equipment rack - and keep you fairly warm to boot.

The only thing to be careful about is the battery voltage for this little dude. The kit version and several other chip variations will work anywhere from 3 to 18 Vdc, but some chip versions have a max voltage (Vcc) of 6 volts (e.g., MC74C4060A). In that case just add a simple 78L05 voltage regulator, two bypass capacitors and a nine volt battery to provide regulated 5 Vdc for those ICs.



The logic diagram next shows how a signal fed from the oscillator stages would propagate down the chain of flip-flops. Different frequencies can be picked off the output from each flip-flop as shown. Halving is binary, of course, and so it goes 2-4-8-16-32-64-128 etc. Hope this scratches

your itch and gets a discussion going. How many useful signal "pick-offs" would we have if we used a 1 MHz crystal, or a 4 MHz crystal? What would the ubiquitous color burst crystal give us (3.579545 MHz).

Armchair General

In the 1930s and 1940s, many radio consoles included shortwave bands. During the war, news from the front and battle reports could often be picked up on shortwave receivers before they were carried by the American news media. Thousands of people across the country stayed up into the wee hours, hoping to catch information about a battalion or division that included a friend or loved one.

Thousands of others, like this senior citizen portrayed by Rockwell for the April 29, 1944 cover of *The Saturday Evening Post* became devoted "Armchair Generals." Surrounded by newspapers, maps and charts, he strains to hear the faraway voices as they fade in and out on the airwaves. Photographs of General MacArthur and General Eisenhower appear on the wall behind him, and a glass of milk and a midnight snack are at hand.

Permission to transmit, as well as to receive, on a shortwave radio can be obtained from the government. Anyone, regardless of age, who applies for a license and passes a written test covering the Morse Code and federal rules and regulations, can become an amateur radio, or "ham" operator.

This stamp, honoring America's 250,000 amateur radio operators, was issued at Anchorage, Alaska on December 15, 1964, to pay tribute to the crucial emergency communications service provided by "ham" operators after the Alaskan earthquake of 1964. Amateur operators are often called upon to relay emergency messages. The design of the stamp combines a stylized radio wave with a portion of a radio tuning dial.

