

OLE VIRGINIA TIMES

Renew your OVH membership now!

January 2024

Next Monthly Meeting: Wednesday, January 17, 2024

PRESIDENT'S LETTER:

Happy New Year to All,

A quick reminder: because of the MLK holiday next Monday, this month's regular meeting will be on Wednesday, January 17th, and NOT Tuesday (January 16th).

If you took part in the annual ARRL Straight Key Night (SKN) on New Year's Eve and New Year's Day, congratulations.

I submit we had a pretty good year this past year. In 2023 during which the OVH supported:

- 5 Tri-It-Now mini triathlons;
- A return to the OVH Tailgate Party (in lieu of Hamfest);
- Another successful Field Day –This time with Cat / KM4PBD, in her inaugural sitting in the Chairwoman's chair. And a fine inaugural event she produced, too;
- Our annual support of The Freedom 5K and 1-mile Fun Run;
- The OVH fielded 28 spotters for the 2023 Warrior Bike Ride, this year raising over \$97,000;
- 2 VE Sessions; one on 5/27/23 and the other on 11/4/23. These were excellent capstones for John, KG4NXT, as he retires from this position. A big thank you here. Good job!
- We look forward to term of Mark / WA4KFZ as he has graciously agreed to take over from John KG4NXT;
- The Prince William 5K Turkey Trot and Mashed Potato Mile;
- The annual Manassas Christmas parade; and



Cont'd on Page 3

Ole Virginia Hams Amateur Radio Club, Inc.

Post Office Box 1255
Manassas, Virginia 20108

OFFICERS

President:	Ken Brant	KN4DD	622-2638
Vice Pres:	Gil Thompson	KM4OZH	369-0431
Secretary:	John Heartney	KG4NXT	257-3566
Treasurer:	Don Meyerhoff	WA2SWX	597-3211

DIRECTORS

Don (Butch) Blasdell	W4HJL	369-2877
Arthur Whittum	W1CRO	791-4330
Charlie Dale	WA4YGI	361-3091
Bob Zaepfel	K4HJF	282-2451

WEEKLY FM REPEATER NET COORDINATOR

JOHN	KG4NXT	257-3566
Thurs - 8:00 PM Local Time		

TAILGATE (HAMFEST) 2023 - CHAIRMAN

Don	WA2SWX	597-3211
-----	--------	----------

FIELD DAY 2023 - CHAIRPERSON

Cat otohime.1978@gmail.com	KM4PBD	571-213-2179
--	--------	--------------

CLUB ROSTER / DATABASE

Arthur	W1CRO	791-4330
--------	-------	----------

EDUCATION

Mark	WA4KFZ	818-8033
------	--------	----------

CLUB EMERGENCY COORDINATOR

Open - volunteer needed!

ARES - EMERGENCY COORDINATOR

David Lane	KG4GIY	628-3868
See http://pwcares.org	email: kg4giy@arrl.net	

FINANCE

Arthur	W1CRO	791-4330
Mark	WA4KFZ	818-8033
Don	WA2SWX	597-3211

GENERATORS

Byron	AK4XR	222-2095
Al	KB4BHB	368-4794

TRI-IT-NOW & WARRIOR BIKE RIDE - CHAIRMAN x2

Andy andy@gamponia.com	KJ4MTP	785-4651
---	--------	----------

WEB COMMITTEE — W4OVH.NET + Twitter & Facebook

Kevin	W4RKU	540-445-5183
John	KG4NXT	257-3566
Ken	KN4DD	622-2638

Web Committee "help request" email: webmaster@w4ovh.net

EMAIL REFLECTOR — w4ovh@googlegroups.com

John	KG4NXT	257-3566
------	--------	----------

MANASSAS CHRISTMAS PARADE - OVH COORDINATOR

George	K4GVT	791-5956
--------	-------	----------

LEGAL

Bob	K4HJF	282-2451
-----	-------	----------

MEMBERSHIP CHAIRMAN

Luther	WA3FMO	361-4885
--------	--------	----------

NEWSLETTER

Paul	W4ZB	754-0910
------	------	----------

CHRISTMAS / YEAR END PARTY - CHAIRPERSON

Theresa.	KG4TVM	257-3566
----------	--------	----------

PROGRAMS

Tony	KM4KLB	331-3705
------	--------	----------

QUARTERMASTER

Open - volunteer needed!

REPEATER CONTROLLERS

John	KG4NXT	257-3566
Ken	KE2N	753-8587
George	K4GVT	791-5956
Arthur	W1CRO	791-4330
Butch	W4HJL	369-2877
David	KG4GIY	361-3042
Cat	KM4PBD	571-213-2179

W4OVH — TRUSTEE

Wayne	N7QLK	571-237-0520
-------	-------	--------------

W4PVA — TRUSTEE

Arthur	W1CRO	791-4330
--------	-------	----------

SCHOLARSHIP 2022

Ken	KN4DD	622-2638
-----	-------	----------

SUNSHINE

Theresa	KG4TVM	257-3566
---------	--------	----------

TECHNICAL COMMITTEE

Ken	KE2N	753-8587
Andy	KJ4MTP	786-4651
George	K4GVT	791-5956
Arthur	W1CRO	791-4330
Butch	W4HJL	369-2877
Bob	K4HJF	335-1939
David	KG4GIY	628-3868
Gil	KM4OZH	369-0431

HISTORIAN

Theresa	KG4TVM	257-3566
---------	--------	----------

All telephone numbers listed above are for Area Code 703 unless otherwise noted. This is the official monthly publication of the Ole Virginia Hams Amateur Radio Club, Inc., a §501(c)(3) organization, dedicated to the promotion and enhancement of Amateur Radio. Copyright © 2023 by the Ole Virginia Hams which holds its regular monthly meetings at 7:30 p.m. every third Tuesday at the Buckhall Volunteer Fire Department Station, 7190 Yates Ford Road, Manassas, Virginia except during the COVID pandemic (in 2020-2021) during which the monthly meetings were held online. The Newsletter will have login details for monthly online meetings if applicable. Members, prospective members and other interested persons are invited to attend without obligation. Local information can also be obtained through the OVH's FM repeaters on 146.970-, 224.660-, 442.200+ and 443.500+ MHz. Up to date information about OVH activities and its meetings is also available during the OVH's nets on its FM Repeater each Thursday night at 8:00 p.m. or through the OVH's web site at <http://w4ovh.net>. Articles in this newsletter may be reprinted if credit is given to the OVH ARC and other source(s) noted. Proposed materials for publication, classified ads, notes about specific errors, complaints or the like are solicited. Forward such items to the Newsletter Editor: paul@w4zb.com. Approx. Circ.: 170. Last Rev: 20240112

Cont'd from page 1

- The OVH's World Famous OVH Year End / Christmas Party.

Thank you again to everyone who donated gifts to Toys 4 Tots. I am told we collected more toys than ever before. Thank you also to everyone who came out to our annual Holiday Party. Thanks too, to the Yorkshire Restaurant for again hosting us and providing us with the turkey and ham.

A huge thank you to Theresa / KG4TVM, who, despite the mountain of tasks and events already on her plate this season, stepped back in at near last minute to turn out another excellent Holiday Party for our club.

A good year, indeed.

As is our annual custom, dues are, um,due. The new amount is \$25.00 and you will need to be paid up in order to vote in elections next month. You can bring your payment to a meeting, mail it in, or pay online. Renewal form and instructions are attached in the newsletter and the PayPal link can be found in the members section on the OVH's web site: <https://w4ovh.net>

OVH officer nominations are now being received; there will be a vote for a new slate of officers for 2024 at the February, 2024 OVH meeting. So please be thinking of the best candidates for our club; if you are personally interested, please volunteer. I myself will be running for yet another term as OVH President, and am asking for your support.

Our first Tailgate planning meeting will be on the 24th of January at Sam and Joe's Pizza; 6 PM for dinner and 6:30 PM for business. Please remember we are doing another Tailgate Party in lieu of a Hamfest for June 2024.

Our monthly breakfast returns this Saturday, January 13th at 8:00 AM. Pioneered by Byron / AK4XR, we get together every Saturday before our meetings at a table or two in the back of Yorkshire Restaurant for some good food and good conversation. Yorkshire Restaurant, 7537 Centreville Road, Manassas

Our next monthly meeting WEDNESDAY, January 17th and NOT on Tuesday, the previous day. W4OVH Monthly Meeting, January 17, 2024, 7:30 PM – 9:00 PM EST, Buckhall VFD Hall, 7190 Yates Ford Road, Manassas, VA 20111

Jeff / K9VEG, who also teaches at the CW Academy will give our January presentation.

Also, a reminder to check in to the OVH's Thursday night VHF/UHF repeater net at 8 PM. The details for that are on the OVH's web site: <https://w4ovh.net>

Questions, comments or war stories can be directed to my email: KN4DD@arrl.net

73 Ken KN4DD



Sunshine Corner

Happy 2024!

Starting the year off with a trip around the sun, Happy Birthday wishes to the following club members this month: John / KI4OWH, Justin / KJ4LAS, Elizabeth / KG4NXV, Erik / K4SOK, Joseph / KM4UYA, John / WA1STU, Ken / KE2N, Ken / KN4DD, Woody / N4MQ, Fred / WD4ASP and Cat / KM4PBD



Condolences to Andrea / KI4SXM on the passing of her mother in December.

Congratulations to Jeff / K9VEG on becoming a CW Academy Instructor.

Congrats to John / KG4NXT on contacting 2500 unique areas for Parks on the Air (POTA). Wow!

Just wanted to thank everyone once again for the great contributions we had for the Toys for Tots in December, you all were very generous!

Hamfest/Tailgate season is starting up for the new year. OVH will be hosting a Tailgate event on June 1st, in the field off of Signal Hill Road. The first planning meeting is later this month on January 24th, more information on our web site and calendar, www.w4ovh.net. If you can help please contact Don WA2SWX at wa2swxdm@gmail.com

Just an FYI, I will be going thru our membership list and will be trying to make sure we have everyone listed for his or her birthday month. If I do not have your month, I will reach out by email. Also, if you change your address, please let us know so we can update our records.



Don't forget about our Thursday night net at 8 pm, good way to keep up with current events and hear what everyone is up to!

Please send me your news, good, not so good and ham related info for this column!

73 Theresa / KG4TVM kg4tvm@hotmail.com Tel: 703-257-3566

Minutes of the Ole Virginia Hams Amateur Radio Club Informal Meeting held on Sunday, December 10, 2023:

The December, 2023 informal meeting took place during the OVH's Year End / Christmas Party on December 10, 2023. No minutes were taken.

Reminders about some upcoming events / calendar dates:

HAMFESTS:

Friday - Sunday, February 9 - 11, 2024. The Orlando (Florida) Hamcation event. This long standing, multi-day hamfest is of the largest in the USA. Is well worth the mid-winter trip to Florida. More info and details at <https://www.hamcation.com>

Sunday, March 10, 2024- The 48th Winterfest by the Vienna Wireless Association. More info and details at <https://viennawireless.net/wp/events/winterfest/>

HAM RADIO OPERATING / CONTEST EVENTS:

Fri. Jan. 26, 2024 22:00Z until Sun. Jan. 28, 2024 21:59Z - CQ Magazine 160 meter CW Contest. Info and details at <https://CQ160.com> This CW contest was a mid-winter favorite for HF CW operators for many years. However, given that CQ Magazine's operations have been recently "temporarily suspended," possibly leading (eventually) to a complete close down after many, many years of operation, your editor does not know at this writing whether this contest will take place again later this month. However, CQ Magazine has used "outside" contest editors to run its contests for many, many years and it is possible that this one will go on again later this month, but perhaps for the last time.

The ARRL maintains a Contest web page at its web site at ARRL.org, but a much more comprehensive, up-to-date, and long range planning contesting calendar with links to the rules for the various events is maintained at <https://contestcalendar.com> by WA7BNM. If you get the radio contesting bug or just want to find out and how much is going on - a lot is going on, these are very good places to look!

PUBLIC SERVICE / ARES EVENTS

Also check the online Calendar on the OVH's web site at W4OVH.NET for information about upcoming OVH related events. Also, check the online Calendar maintained by David / KG4GIY at <http://pwcared.org> for the latest PWC ARES updates. Complete direct contact information for David KG4GIY also appears on page 2 of this Newsletter.

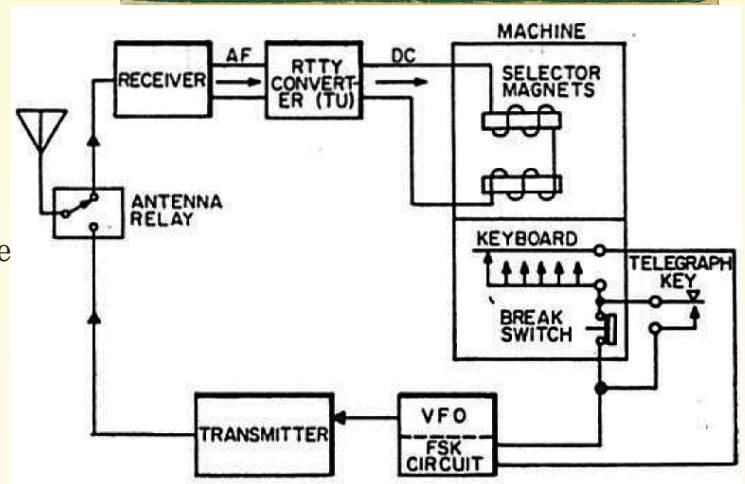
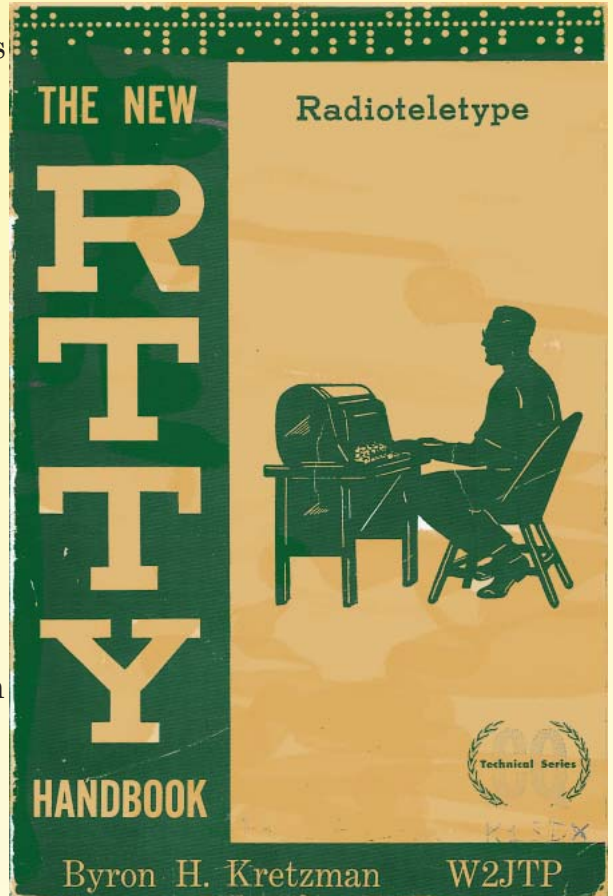
Some Possibly Interesting or Useful Information

1. As noted briefly above, CQ Magazine recently announced it has "temporarily suspended" operations, hopefully to open up again, but that is obviously uncertain. For many, many years, beginning just after WWII when ham radio started up again throughout the world, CQ Magazine has operated a substantial publishing business relating to ham radio, with a wide array of related activities (e.g. promoting radio operating awards, on the air contests, publications on technical topics relating to radio, etc.), many using volunteers (and/or nominally paid contest managers, specialty editors and authors) from the ham radio community. However, CQ Magazine has been a business, and as such, it cannot and will not continue if its owners cannot find managers to run it at a level of profit sufficient to justify the investment and effort.

2. This apparent slow demise of CQ Magazine brings back a lot of memories. It turns out the CQ160.com web site (mentioned above) has archived records for CQ Magazine's 160 meter contests way back to their beginning in about 1960. According to that archive, my results in the

1963 160 meter CW contest were 155 contacts, 27 States and Canadian Provinces, and 6 countries total. Nothing to get too excited about with today's mega-contest stations; but when I think back, I have to say I'm impressed! In January, 1963 I was a 16 year old high school kid with an Amateur Extra class license and a ham radio station set up in Connecticut where I lived with my parents. My older brother (much later N3KVV) who was very handy with electronics had helped me get the station set up; my parents had been supportive but there were no other hams in the family; fortunately, a nearby ham neighbor, W1DG (deceased 50 years ago), a radio engineer, had been a mentor. I had managed to put up an insulated, multi-guyed 77 foot vertical antenna made from electrical conduit with about 10 buried wire ground radials under it. I was able to load up that up for transmitting as a 1/8th wave vertical on 160 meters which accounted for a lot of the success during that 1963 contest. That antenna worked best on 40 meters as a half wave vertical and often produced signal reports from Europe and the Middle East that I was the only station being heard from North America on 40 meters.

3. Another of my recollections is CQ Magazine's RTTY Handbook which was the authoritative guide for ham RTTY operations in the early 1960s. I still have my very well worn copy (upper right). Because I had a deep interest in digital communications as they then existed (and have since massively developed), when I spotted a 1962 classified ad in CQ Magazine from a ham in Ohio offering a Model 26 Teletype machine, I could not resist. I contacted him and reached agreement on a trade with some cash changing hands. My brother and I then talked my mother into driving us to upstate New York to meet him at a Thruway Stop near Rochester and make the swap. All worked out, and before long, with a lot of help from the RTTY Handbook and my brother,



I had a working RTTY ham station on the HF bands which later contacted other ham RTTY stations in about 70 different countries. Of course, aside from the mechanical complexity of the Teletype machines, the basic way that RTTY operated back then was much simpler conceptually (see diagram above) than the way most digital modes work today under the hood today. Very few mechanical teletype machines are still around even though RTTY is still a popular ham contest mode on the HF bands. Modern ham operators using RTTY use strictly electronic devices and modern printers for coding, decoding and printing RTTY signals.

4. If you are interested in learning more about the history of ham radio digital modes, I suggest Goggling: ham radio digital modes in your favorite Internet web browser search engine. There are many helpful sources with such information online.

REMINDER



Yes, it is almost that time of year again!!!! Below is the 2024 Renewal Application.

Please fill out the form below (for database), attach your check and mail to the address below or drop off at a meeting. Be sure to update all information, including your e-mail address, telephone number(s) and nine digit ZIP. Note: please check online at <https://w4ovh.net> for ways to do this renewal online.

MEMBERSHIP RENEWAL APPLICATION "OLE VIRGINIA HAMS AMATEUR RADIO CLUB" for 2024

NAME: _____ CALL SIGN: _____
ADDRESS: _____ Home Tel: _____
_____ Cell Tel: _____
Work Tel: _____
EMAIL: _____
BIRTHDAY: _____

ARE YOU PRESENTLY AN ARRL MEMBER? (YES/NO)
ARE YOU A VOLUNTEER EXAMINER: (YES/NO)
MAY YOUR TELEPHONE NOS. BE LISTED IN THE "Members Only" OVH ROSTER? (YES/NO)
WHAT IS YOUR PRESENT LICENSE CLASS? _____

Dues are now **\$25.00** per year and payable on January 1, 2024. Dues for each additional family member living at the same mailing address are \$12.50. Dues for a full time student at the college undergraduate or lower level [list school attended and grade or level: _____] are \$12.50.

NAME AND CALL OF FAMILY MEMBERS: AMOUNT ENCLOSING: _____
Name: _____ Call: _____
Name: _____ Call: _____

Return to: **Treasurer, OVH**
P.O. Box 1255
Manassas, VA 20108-1255