



Old Virginia Times

The OVH ARC Newsletter



"OLE VIRGINIA HAMS" AMATEUR RADIO CLUB, INC.
Post Office Box 1255, Manassas, VA 22110

Repeater - WA4FPM -- 146.37/97
220MHz Digipeater -

Digipeater - WA4FPM-1 -- 145.09
WA4FPM-3 -- 223.4

NOVEMBER NEWSLETTER

FROM THE PRESIDENT'S SHACK:

What is the most important problem facing us as Amateur Radio Operators today? The loss of the lower half of the 220 MHz Band? Ever tightening restrictions on antennas by local political entities or by restrictive covenants? Crowding and noxious behavior on the Hf (and other) Bands? The FCC and its decreasing support of or interest in Amateur Radio activity? Dozens of other problems exist, varying in importance depending on your particular interest in the various facets of Amateur Radio activity. In my opinion, our biggest problem is failure to attract new blood to our hobby in the form of young people. Computers are the new technology and young people embrace them, master them, and use them every day, understanding them in a natural way which baffles those of us who hunt and peck at the keys with one hand while we diligently leaf through the instruction manual with the other. Packet radio is such a natural extension of the personal computer world, affording free (except for the one time low cost for a TNC) communications services and free host computer facilities (computer bulletin boards, etc.). The only alternative to this free benefit from being in Amateur radio is long distance telephone service at high cost. Novice enhancement has, in my

opinion, opened a great avenue for young people to take advantage of Amateur Radio as a natural extension of their computer activity. The reason they don't is because they don't know about it. We must get the word out, but how? How can our Club help in this endeavor? Frankly, I am not sure. We apparently don't have the right bridges built to high schools, junior highs and even elementary schools. Each of us needs to contact a young person we know who is already into computers and explain what we can offer to expand his/her hobby. It's worth a try. There must be some way to create the spark that will light the fire.

I look forward to seeing all of you at the Christmas Party (see elsewhere in this issue for further details). If it is anywhere nearly as nice as last year's party, it is well worth your effort to attend.

Remember, nominations for Officers at the January 1989 meeting, with the election at the February meeting. In the meantime, see you at the December meeting on the 19th.

Ed (KC4YY)



● Listen to the Westlink Report at 8:00 pm Thursday Evenings during the OVH Weekly Bulletin. ●

CLUB OFFICERS AND COMMITTEES

Directors:

Bob McCann (N4RL)
Tim Wayne (KB4NR)
Mike Feher (N4FS)
Butch Blasdell (W4HJL)

Officers:

President -- Ed Stalder (KC4YY)
Vice President -- Joe Tutino (KB4VHK)
Secretary -- Randy Moler (KA4UFF)
Treasurer -- Steve Frick (N4OGR)

Repeater Trustee:

Art Whittum (W1CRO)

OVH Weekly Net:

Harry Vorhauer (W4PVA)

Emergency Coordinator:

Harry Vorhauer (W4PVA)

Repeater Controllers:

Art Whittum (W1CRO)
Tim Wayne (KB4NR)
Milt Warnock (N4SN)
Jim Lascaris (WA2QEJ)
Steve Meade (KB4OF)
Russ Stevens (WB4HHN)
Butch Blasdell (W4HJL)
Mary Lou Blasdell (KB4EFP)
Jack Gunsett (KI4VP)--Digipeater

Technical Committee:

Butch Blasdell (W4HJL)
Jim Lascaris (WA2QEJ)
Tim Wayne (KB4NR)
Bob McCann (N4RL)

Refreshments:

Mary Lou Blasdell (KB4EFP)

Sunshine Chairperson:

Bernice Miller (KA4SCA)

Field Day:

1988 Curt Wann (K4ITO)

Program Chairman:

Open

Club Newsletter:

Steve Frick (N4OGR)
Bonnie Frick (N4QPB)

Historian:

Gregg Brunacci (N4RKV)

Publicity Chairman:

Gregg Brunacci (N4RKV)

F.A.R. Representative:

Don Hammack (N4PYJ)

1989 Hamfest

Joe Tutino (KB4VHK)
Greg Brunacci (N4RKV)

Generators:

Tom Watts (KA4FU)

Computer Committee:

Dick Miller (WD4AZG)
Milt Warnock (N4SN)
Tim Wayne (KB4NR)

Membership:

Ken Moan (N4NLO)

Scholarships:

Mike Feher (N4FS)

Westlink Report:

Mail List:

Dick Miller (WD4AZG)

Club Picnic:

Bernice Miller (KA4SCA)
Mary Lou Blasdell (KB4EFP)

Jack Gunsett (KI4VP)

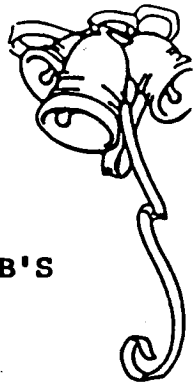
Educational Committee:

Bob McCann (N4RL)

The Ole Virginia Times is published monthly by the Ole Virginia Hams Amateur Radio Club, and is mailed free to members of OVH. Permission is granted for use of material contained in this Newsletter, provided proper credit is given. This editor will swap Newsletters with other Clubs and Associations upon request. Newsletter deadline is the 5th of each month. The Newsletter is entered as First Class Mail at the Manassas Post Office Virginia.

The Editor

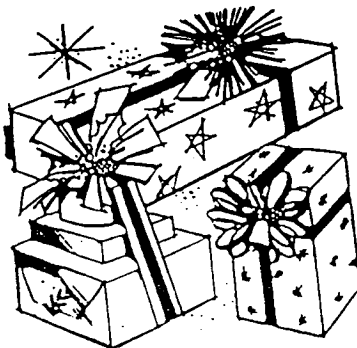
WORLD WIDE FRIENDSHIP THROUGH AMATEUR RADIO



**ANNOUNCING THE SECOND ANNUAL OLE VIRGINIA HAMS AMATEUR RADIO CLUB'S
CHRISTMAS PARTY**

- WHEN:** Friday Evening, 23rd December 1988. From 7:00 till Midnight.
(Mingling from 7:00 till 7:30--Dinner to start at 7:30)
- WHERE:** The La Chapelle Restuarant, 9329 Main Street (corner of Main Street
and Church Street), Manassas, Virginia.
- WHAT:** A delightful atmosphere for mingling, dinning and dancing. There
will be a gift for every YL & XYL in attendance and there will be
hourly door prizes.
- MUSIC:** To be provided by "SOUNDS FANTASTIC"!
- REGISTRATION:** Once again there will be a \$5.00 charge per person for
OVH members and one guest. If you wish to bring more than one
guest (i.e. family from out of town, visitors from out of town,
etc.) the price will be \$10.00 per person for each additional
guest. All registrations must be received by Bonnie (N4QPB)
prior to the 3rd of December. Please mail registrations to the
Club Post Office Box. (Please note: Again all registration
proceeds will be donated to a charity which will be voted upon
at the December OVH Meeting.)
- DRESS:** Formal or informal (as you wish), but ABSOLUTELY NO JEANS will
be allowed!!

We, the Newsletter Staff, look forward to seeing you there. If you have
any questions, please do not hesitate to call Bonnie (N4QPB) at 690-6547 or
361-0008.



Ole Virginia Hams Amateur Radio Club, Inc.

Memo from

Harry Vorhauer

LET'S WELCOME NEW MEMBERS!!!!!!

David Edens--WB4AKC
Sig Dugas--WB4LII
Woody Woodworth--N4MQ
Scott Mellott--N4FUG

CHRISTMAS PARADE:

Don't forget that the annual Manassas Christmas Parade will be held on Saturday, December 3rd, 1988. For more information contact Dick Miller (WD4AZG)!

NOTE FROM STEVE (N4OGR):

If anyone has any updates for the Club Roster, please let me know. From time to time I receive address changes, but not telephone changes. If you wish to have your current telephone number with your current address, please drop me a line.

THE OGR. !

Hi:

The next Manassas exam session (Ham exams) is set for Saturday Nov 19 at 9:00 am, in room MS002 of the Northern Virginia Community College -- Manassas Campus. Room MS002 is in the same building used at previous exams.

You are invited to participate as one of the examiners.

I am trying to get things lined-up and to that end ask that you advise me as to your attendance at the session. Please let me know so that all can be in readiness for the candidates. A simple call on the Manassas repeater (146.37/.97 MHz) or telephone call (my number is 360-6050-Manassas) will do nicely.

I fully understand that not everyone can make every session and that at times things come up at the last minute preventing attendance, even after having said you would be there. Because of this, I am trying to have a couple extra examiners-- just in case.

Looking forward to hearing from you,

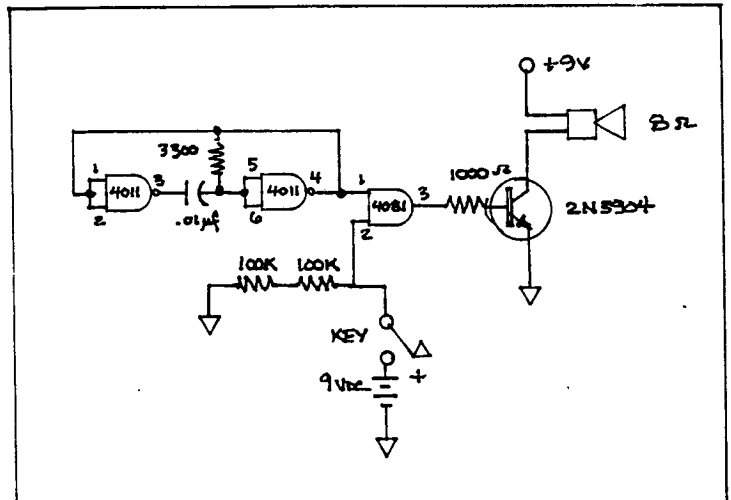
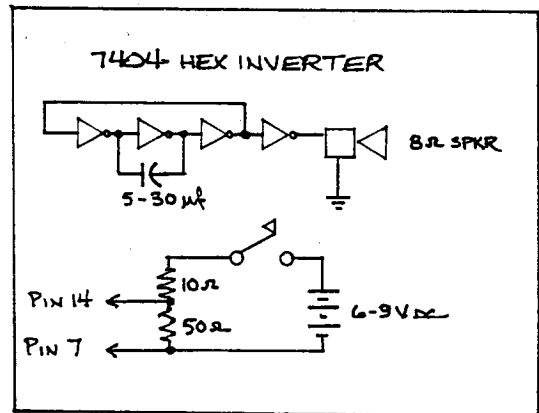
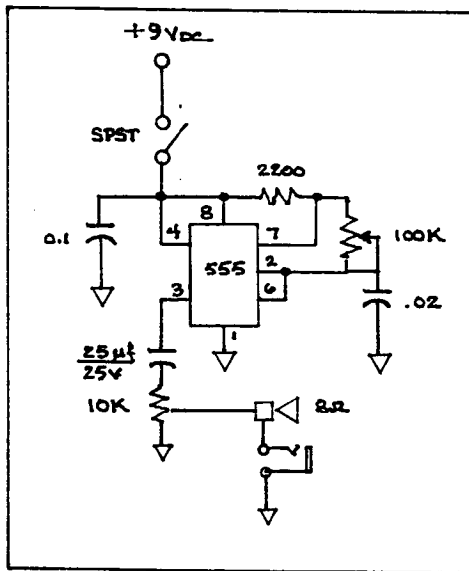
73

Harry
(W4PVA)



Full Wave: Surf's Up!

CODE PRACTICE OSCILLATORS: The Ole Virginia Hams Amateur Radio Club is providing training for prospective amateur radio operators. Thanks to Harry, W4PVA and Bob, N4RL. OK, now - what do you do when you are home and they (Harry and Bob) aren't there. They said practice...and listen to W1AW or to tapes from the ARRL or wherever. That's fine for listening. What do you do if you want to hear what you're sending, when you practice sending - or, if you are lucky enough to have conned someone into practicing with you in this search for CW purity - what do you do?...What do you do?? The answer is: you build a CODE PRACTICE OSCILLATOR. Then you can listen to someone send CW to you, and then, you can drive that person into a brick wall with your 80 WPM (words per minute) fist when it's your turn. Seriously, a Code practice oscillator isn't magic. It isn't high-tech; it isn't expensive and it isn't beyond YOUR ability to put one together. Most, if not all, of the parts are available at a local Radio Shack store - might even be available in your junk box...or your "Elmer's" junk box. With that thought in mind, here are several diagrams of code practice oscillators gleaned from the ARRL Handbook, The Encyclopedia of Electronic Circuits, Electronics and Micro-Computer Circuits and Weekend Projects for the Radio Amateur. Pick one that looks easy to you and try it. Then PRACTICE - PRACTICE - PRACTICE. ZUG DE W1CRO.



OLE VIRGINIA HAMS

SCANNING WORLD BAND RADIO

By Matthew Clarke

Are you bored while tuning the HF bands and there is no one on the air?

No action on the VHF/UHF frequencies either, so you might turn everything off and watch TV?

Well, consider adding a World Band Radio (150kHz - 30,000kHz) to your "shack".

You can hear long-, medium-, and short-wave broadcasters, hurricane hunter aircraft, coast guard rescues, weather forecasts, time signals, various military services, marine radio telephone, and so many other things its difficult to list them all.

People who listen to these broadcasts have many reasons for doing so. Personally, I like to keep up with what's going on around the world. Also, I've collected QSL cards from stations in different countries.

World-Band listening is another facet of the of the amatuer radio hobby and may fit into your "shack" along with your HF and VHF/UHF equipment.

I'm not advocating that you turn off the ham rigs in favor of just listening to World-Band either. But to fill in the hours when the ham bands are inactive or your tired of talking on the radio, try World-Band radio. A lot of people like it and maybe you will too!

October 12, 1988

Mr. Harry Vorhauer
94 Meeker Street
Manassas Park, Virginia 22111

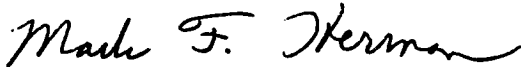
Dear Harry:

Once again, I would like to thank you for the excellent support that was provided by the Old Dominion Ham Radio Club during the Fifth Annual Autumn Bike Tour on October 2, 1988. Without the support of you and the other Ham's we literally could not run this type of event.

Please pass on "thank you's" to the other members of your club as well.

Thanks again.

Sincerely,



Mark F. Herman
District Parks Supervisor

General Interest

New Media Guidelines

The league has adopted a new set of guidelines for amateurs' use when working with the media. The guidelines were developed by the ARRL Ad Hoc Committee on Amateur Radio and the Media. In developing the guidelines, the Committee agreed that it was essential they be easily understood, that the average radio amateur is neither aware nor concerned with all the nuances involved, and needs some simple, straight forward ground rules; nothing more. Input and comments were sought from both the amateur community and the media. The guidelines are reproduced below:

* Amateur radio operators may assist news media representatives in their efforts to gather information for relay to the public from areas where normal communications have been disrupted.

* Amateurs may ask questions of, or relay media questions to, amateurs in the emergency area. The responses may be electronically recorded by the media representatives.

* Amateur radio should not be used to assist the news media in gathering information when telephones or other commercial means of communication are available.

* Amateur radio should not be used to facilitate the operation of any business.

* Amateur radio operators should depend on their own judgement in dealing with the news media and in operating their station in the public interest, convenience and necessity. (ARRL SECTION LEADER, Sept. 1988)

Our thanks ...

The programs of Red Cross are made possible by the voluntary service and financial support of the American people. Through participation in the United Way and the voluntary financial support of our members, Prince William Chapter continues serving the community. We gratefully acknowledge all who contributed to our Membership drive from March 1 through August 1, 1988.

W. Bryan Acken
Blair Allison
Randy Allison
Terry Armentrout
Paul Arrington
Donald Ator
Virginia Baker
Leona Barlow
Ora Batkins
Leslie Bell
Margaret Bell
Richard Berdaus
Joseph Blanton
Frances Blevins
Arthur Bodkin
Mary Botts
Hazel Boyer
Cecile Boyie
Bradley Forest
Extension Homemakers
David Bright
Francis Brown, Jr.
David Bruce
James Buongiovanni
W. Lynnwood Caracofe
Margaret Carpenter
Virginia Carrico
Winifred Coolbaugh
Helen Cornwell
Kathleene Cotter
Bine Cross
Christine Cummings
Robert Cusey
Michael Dakes
Elizabeth Davies
Laura Davis
Theda Davis
Gerald Dean
Diana DeMadalex
Carol Doyle
David Drucker
Linda Dyer
Hazel Eby
Frederick Edwards
Gabriel Fedele
David Fifield
Janet Flood
Wayne Four
Reba France
Chu Ming Fu
Ethel Georges
Betty Glenn
Joan Godin
Tania Goodrich
Mildred Goranson
George Gullette

Elsie Haddox
Carol Hall
Johnnie Hawkins
Haymarket Woman's Club
Elizabeth Heflin
Annemarie Heller
Virginia Heyward
Arthur Hilker
Diane Hill
Susan Himel
Ivalee Hoffman
Florence Holmes
Donald Inskip
Frank Johnson
Viola Johnson
Herbert Jones
Charles Jordan
Stanley Keyes
Roy Kensinger
John Kern
William Keys
Haywood Kines
Michael Klemens
Betty Korpi
Kathern Kotulick
Ben Lomond Homemakers
Mark Lowery
Walter Maceris
Judith Maxfield
Darwin McAfee
Eunice McConaha
Kathleen McCoy
Jim McCune
C. J. McDonald
William Mitchell
Elizabeth Moore
Eula May Mosellier
Richard Muggs
John Murray
Everett Nickell
Robert Noe, Jr.
Nokesville Extension
Homemakers
Martha Nolan
Harry Oakey
Rose Parisi
Edward Parsons
Nora Plantania
Herbert Plummer
Donald Poe
Mary Porter
Dawn Praino
Marie Primas
Mildred Pugh

Michael Raftelis
Harold Ream
Patricia Reese
D. E. Reynard
James Rice
Anh Riley
J. Wallace Rion
William Robison
William Ross
Thomas Rotelli
Marjorie Rothrock
Mickey Scarcilla
Charles Shadel
Carol Shapiro
Judy Shelly
John Shropshire
Edward Sinkoski
Joseph Smith, J.
Evelyn Stanton
John Stokke
LeRoy Stoutenburg
Anna Stronko
Robert Sullenber
Marvin Switzer
Cary Taylor
Paul Taylor
Barbara Thomas
Eloise Thomas
Dennis Truansbn
Sadie Toler
Ruth Torrance
Lucile Trout
Louise Turner
Michael Vassail
Dorothea Vignos
Ole Virginia H
Radio Club
Ralph Waddell
Ann Mancure Wal
Kathern Watson
Hazel Wetheral
Francis William
Wade Williams
Steven Wright
Ruth Young
Eleanor Zhorii

(Volunteer Vista, Fall 1988)

OPERATION TURKEY 1988

The sixteenth annual Operation Turkey Campaign is underway! This year's Volunteer Coordinator is Peg Bohi. If you are interested in helping with sorting, packing or distributing food, please give Peg a call. She may be reached at the Chapter on Monday and Tuesday afternoons, 368-4511.

Last year nearly 1,000 families were helped by hundreds of volunteers with \$10,000 of contributed funds and canned goods. The Operation Turkey Coalition (Red Cross, ACTS, SERVE, and the Depts. of Social Services from Manassas, Manassas Park and Prince William County) welcomes another agency this year -- the Boy Scouts of America. In a national project Boy Scouts around the country will be collecting canned goods to feed the needy in their community. Locally, Mr. Bill Evans, Chairman of the Prince William Board of Boy Scouts, has arranged for area troops to participate in a door-to-door collection. The food collected will be taken to the Armory distribution site and used to round out Thanksgiving baskets. Surplus food will be used to stock the food closets of ACTS and SERVE



The Coalition is grateful to the Virginia Army National Guard Armory for use of their facility and for volunteering guards and the Armory vehicles to pick up food collections from the schools.

Meat vouchers are issued to the recipients at the time of basket pickup. Persons wishing to contribute to the Operation Turkey effort should mail their check made payable to Operation Turkey to:

Operation Turkey Coalition
P.O. Box 241
Manassas, Virginia 22110

(Volunteer Vista, Fall 1988)

American Red Cross

Prince William Chapter
9317 West Street
Manassas, Virginia 22110

HELP!!! HELP!!!! HELP!!!!!

The following items were stolen from EGE. Any information that is available on their disposition would be appreciated. Contact: John Hoffman at 643-1063 or 494-8750. Thank You!

- Manfct. -- Model -- Serial #
- ICOM -- 02AT/5 -- 1118
- ICOM -- 4GAT -- 1023
- ICOM -- U4AT--1183
- ICOM -- 03AT -- 1933
- ICOM -- H16 -- 18042
- ICOM -- M8 -- 2709
- ICOM -- U2AT -- 1022
- ICOM -- U2AT -- 10737
- ICOM -- U12 -- 12460
- ICOM -- 4AT -- 8878
- TENTEC -- TT920 -- 5110
- ALINCO -- DJ100T -- 560
- ALINCO -- ALX2T -- 10972128
- ALINCO -- ALX2T -- 10972158
- KENWOOD -- TH21BT -- 7100452
- KENWOOD -- TH215AT -- 9070341
- KENWOOD -- TH215AT -- 9040047
- KENWOOD -- TH315A -- 8100424
- KENWOOD -- TR3600A -- 6020042
- KENWOOD -- RZ-1 -- 908494
- BEARCAT -- 200XLT -- NO SERIAL
- BEARCAT -- 50XL -- NO SERIAL
- BEARCAT -- 800XLT -- NO SERIAL
- BEARCAT -- 760XLT -- NO SERIAL
- DOCKING BOOSTR -- WP20 -- 77030409
- YAESU -- FT727R -- 6N110536
- YAESU -- FT33R/TT -- 7J020554
- YAESU -- FT209RH -- 7F440254
- HEATH -- HW2XL -- U010048
- HEATH -- HW2 -- U010068
- HEATH -- HW21 -- NO SERIAL
- SANGEAN -- 792 -- NO SERIAL
- LARSEN-----

MODEL:	QUANTITY:
KD14150HW	3
KD142MHW	10
KD14440	4
KD14450	5
KD4142	3
KD4142HQ	9
KD4142ST	13
KD4150	3
KD4222HQ	1
KD4450	4
KGREINSTAL	9

TIME CONVERSION CHART

UTC	EDT/AST	CDT/EST	MDT/CST	PDT/MST	PST
0000*	2000	1900	1800	1700	1600
0100	2100	2000	1900	1800	1700
0200	2200	2100	2000	1900	1800
0300	2300	2200	2100	2000	1900
0400	0000*	2300	2200	2100	2000
0500	0100	0000*	2300	2200	2100
0600	0200	0100	0000*	2300	2200
0700	0300	0200	0100	0000*	2300
0800	0400	0300	0200	0100	0000*
0900	0500	0400	0300	0200	0100
1000	0600	0500	0400	0300	0200
1100	0700	0600	0500	0400	0300
1200	0800	0700	0600	0500	0400
1300	0900	0800	0700	0600	0500
1400	1000	0900	0800	0700	0600
1500	1100	1000	0900	0800	0700
1600	1200	1100	1000	0900	0800
1700	1300	1200	1100	1000	0900
1800	1400	1300	1200	1100	1000
1900	1500	1400	1300	1200	1100
2000	1600	1500	1400	1300	1200
2100	1700	1600	1500	1400	1300
2200	1800	1700	1600	1500	1400
2300	1900	1800	1700	1600	1500
2400*	2000	1900	1800	1700	1600

Universal Coordinated Time (UTC) is the time at the zero or reference meridian. Time changes one hour with each change of 15 degrees in longitude. The five time zones in the U.S. proper and Canada roughly follow these lines.

0000* and 2400 are interchangeable. (2400 is associated with the date of the day ending, 0000 with the day just starting.)

THE AMERICAN RADIO RELAY LEAGUE, INC.
Newington, Conn.

ITU Phonetic Alphabet

Word list adopted by the International Telecommunication Union

- A ALPHA
- B BRAVO
- C CHARLIE
- D DELTA
- E ECHO
- F FOXTROT
- G GOLF
- H HOTEL
- I INDIA
- J JULIETT
- K KILO
- L LIMA
- M MIKE
- N NOVEMBER
- O OSCAR
- P PAPA
- Q QUEBEC
- R ROMEO
- S SIERRA
- T TANGO
- U UNIFORM
- V VICTOR
- W WHISKEY
- X X-RAY
- Y YANKEE
- Z ZULU

THE R-S-T SYSTEM

READABILITY

- 1 — Unreadable.*
- 2 — Barely readable, occasional words distinct
- 3 — Readable with considerable difficulty.
- 4 — Readable with practically no difficulty.
- 5 — Perfectly readable.

SIGNAL STRENGTH

- 1 — Faint signals, barely perceptible.
- 2 — Very weak signals.
- 3 — Weak signals.
- 4 — Fair signals.
- 5 — Fairly good signals.
- 6 — Good signals.
- 7 — Moderately strong signals.
- 8 — Strong signals.
- 9 — Extremely strong signals.

TONE

- 1 — Sixty cycle a.c. or less, very rough and broad.
- 2 — Very rough a.c., very harsh and broad.
- 3 — Rough a.c. tone, rectified but not filtered.
- 4 — Rough note, some trace of filtering.
- 5 — Filtered rectified a.c. but strongly ripple-modulated.
- 6 — Filtered tone, definite trace of ripple modulation.
- 7 — Near pure tone, trace of ripple modulation.
- 8 — Near perfect tone, slight trace of modulation.
- 9 — Perfect tone, no trace of ripple or modulation of any kind.

If the signal has the characteristic steadiness of crystal control add the letter X to the RST report. If there is a chirp, the letter C may be added to so indicate. Similarly for a click, add K. The above reporting system is used on both cw and voice, leaving out the "tone" report on voice. Turn card over for examples.



WORLD RADIO

BEASLEY - KGBJH

OH HARRY -- THE GENTLEMEN FROM THE ANTENNA ORDINANCE ENFORCEMENT COMMITTEE ARE HERE TO NEGOTIATE!

SPREAD THE WORD ABOUT AMATEUR RADIO!!!



Remember, we are always looking for interesting items for the Newsletter. If you see or know of articles, shack tips, items for sale or wanted, brain teasers, etc., please send them to the Newsletter Editor, c/o Post Office Box 1255, Manassas, VA 22110, or give us a landline (361-0008 or 690-6547). If it is interesting to you, chances are it will be interesting to others.

Steve (N4OGR)

SWAP & SHOP

FOR SALE: * Kenwood VFO-820 Remote Variable Freq Oscillator with interconnecting cable and Operating Manual. Originally for TS-820. I used it on a TS-520 with no problems. The ham that bought the TS-520 didn't want to work "split". - \$85.00. W1CRO.

* Hy-gain 2BDQ-S Trapped Dipole 80M/40M. 110 ft overall. Never used, never constructed. "New" in box with instructions and all parts. My QTH came with full size 80M and 40M dipoles - \$40.00. W1CRO.

FOR FREE: You call, you haul, that's all, You'all!
MAGAZINES.

RADIO NEWS: OCT '43, APR-OCT '47, JAN-JULY '48.

RADIO & TELEVISION NEWS: AUG-DEC '48, JAN-DEC '49, JAN-APR '50, JUL-DEC '50, JAN-DEC '51, JUL '53 (2), AUG '53 (2), JAN '54, APR '55, JUN '56, OCT '56, AUG '58, NOV '58.

POPULAR ELECTRONICS: DEC '56.

QO MAGAZINE: MAR '48, APR '49, SEP '49, JUL '51, FEB '52, JUN-JUL '53, MAR-JUN '55, SEP '55, MAR '56, SEP-OCT '56, FEB-APR '57, MAY-DEC '83, JAN-APR '84.

QST MAGAZINE: (FAIR TO POOR CONDITION) JAN-FEB '46, JUN '46, SEP-DEC '46, MAY-DEC '49, JAN-DEC '50. (GOOD CONDITION) SEP '52, DEC '54, MAY '57, APR-DEC '71, JAN-DEC '72, JAN '73, MAR-DEC '73. (VERY GOOD CONDITION) JAN-FEB '74, MAY-DEC '74, JAN-DEC '75, JAN-MAY '76, AUG-DEC '76, JAN-DEC '77, JAN-DEC '78, JAN-DEC '79, JAN-DEC '80, JAN-DEC '81, JAN-DEC '82, JAN-DEC '83, JAN-DEC '84.

Pick up a bundle and read 'em then pass 'em along to someone else. Old they may be, but the information is ageless and priceless. The theory and practice we play with and take for granted was conceived in a generation we have almost forgotten. Mahlon who??
W1CRO

**Make your reservation early for the Second
Annual OVH Christmas Party**



Remember, no club meeting in November

Lithium Cell Warning:

Do you realize that your (modern) HT may contain a miniature bomb? Lithium cells, used to maintain memory contents even when external power is removed, contain a volatile and toxic compound called thionyl chloride. Trying to force current back into these cells can result in a devastating explosion! Consider the case where a bus ticket dispensing machine was being repaired when the lithium battery's blocking diode failed. The resulting explosion injured five people who required hospital treatment for fume inhalation. (73 Amateur Radio, Oct. 1988)

NOVICE CLASS:

Harry (W4PVA) and Bob (N4RL) have been teaching a Novice Class since October 11th. The Class will continue through December (10 weeks total). As of right now, there are 10 prospective Novice's taking the course. Good Luck To All!

SWAP & SHOP

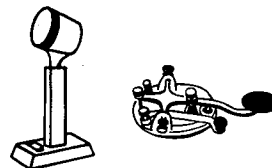
Wanted: 30L-1 Collins Round Emblem
W/4-811A's.

Sale: Alpha 76PA 3X8874's. In
Warranty--Mint Condition. \$1850.00.
Will Ship UPS Insured.

Contact: William Clark (KD6UN)
209 Plantation Court
St. Marys, Georgia 31558

NEXT MEETING:



The next meeting of the OVHARC will be held Monday night, **December 19th, 1988** (there will not be a meeting in November), in the Basement Meeting Room of the Northern Virginia Electric Co-Op, 10323 Lomand Drive, Manassas, Virginia, at 8:00 pm. Please use the side entrance located on the left side of the building (next to the parking lot where all of the antennas Ham style will be parked). Hope to see you there!!!!



TV: A device designed for afternoon and/or evening naps as well as to test a radio amateur's TVI skill.

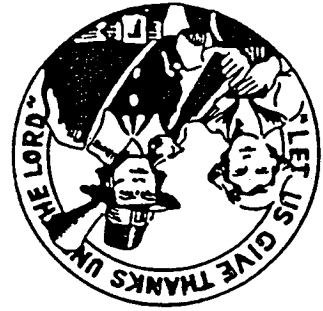
Make Reservations Now!

CALENDER FOR NOVEMBER AND DECEMBER

2 0 AMER EAGLE NET @ 1700 ON 28.340 ----- VEC EXAMS BALTIMORE, MD	2 1 NOTE: NO CLUB MEETING IN NOVEMBER		2 3 NVFMA NET @ 2000 146.31/91	2 4 OVH NET @ 2000 146.37/97 		2 6 WOODBRIDGE NET @ 2100 28.440
2 7 AMER EAGLE NET @ 1700 ON 28.340	2 8	2 9	3 0 NVFMA NET @ 2000 146.31/91	1 OVH NET @ 2000 146.37/97	2 NOTE: REMEMBER TO MAKE YOUR RESERVATIONS FOR THE CLUB CHRISTMAS PARTY	3 WOODBRIDGE NET @ 2100 ----- 28.440 ----- VEC EXAM UNIV. OF MD ----- CHRISTMAS PARADE
4 AMER EAGLE NET @ 1700 ON 28.340	5 NEWSLETTER DEADLINE	6	7 NVFMA NET @ 2000 146.31/91	8 OVH NET @ 2000 146.37/97	9 LAST DAY TO MAKE RESERVATION FOR CHRISTMAS PARTY	1 0 WOODBRIDGE NET @ 2100 28.440 ----- VEC EXAMS SALISBURY, MD
1 1 AMER EAGLE NET @ 1700 ON 28.340	1 2	1 3	1 4 NVFMA NET @ 2000 146.31/91	1 5 OVH NET @ 2000 146.37/97	1 6	1 7 WOODBRIDGE NET @ 2100 28.440
1 8 AMER EAGLE NET @ 1700 ON 28.340	1 9 OVH CLUB MEETING	2 0	2 1 NVFMA NET @ 2000 146.31/91	2 2 OVH NET @ 2000 146.37/97 ----- VEC EXAMS TOWSEN, MD	2 3 OVH CHRISTMAS PARTY 	2 4 WOODBRIDGE NET @ 2100 28.440

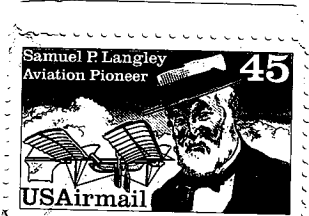
NOTES: 1. For more information on VEC testing, contact Harry W4PVA.
 2. The Powwow net meets daily at 2100 on 28.400.

NOVEMBER



Remember, no club meeting in November

Ole Virginia Hams A.R.C., Inc.
Post Office Box 1255
Manassas, VA 22110



FIRST CLASS MAIL

