

The OVH ARC Newsletter
"OLE VIRGINIA HAMS" AMATEUR RADIO CLUB, INC.
Post Office Box 1255, Manassas, Va. 20108
Repeaters – W4OVH – 146.970- & 224.660- & 442.200+
OVH Nodes – 145.030 Port 2: 223.660 (SysOp Use Only) Port 3: 223.540 MHz
BBS--BBSNVA/N4WJN (SYSOP--BILL)
<http://www.qsl.net/olevahams>

OLE VIRGINIA TIMES

OCTOBER 1999

Next meeting: 18 October 1999
Committee Chairperson's!!!! Need your input for the
Newsletter!!!
(Editor)

Message From the President

Greetings OVH;

Autumn strolling or doing those last of the season 'fests with some outdoor arts/crafts fairs thrown in, October welcomes us. A ham's healthy diet: weekend "hamcationing."

A special thanks to Art/KW4AW for presenting a talk on DFing at our Sep meeting. Art took a lot of personal time to build two working models (Steve/N4OGR also shared a nice one) to pass along with testing; giving interesting overheads. Very well explained.

The FunRun and Bike Tour held at Nokesville Park, which was well supported by OVH this season, went over BIG with participants as well. Good job, everybody!

Hoping to see all OVHers at the Oct 18th meeting. Mike/K3MT, of the Vienna Wireless Club, will be giving a program on VHF Antennas. He has built some pretty interesting antennas and attending will prove worthwhile.

Upcoming Fall Activities: JOTA (Scouts) Jamboree On The Air coming up Sat, Oct 16. See John/N4YOB for details. Manassas Christmas Parade, an OVH-supported annual event in Old Towne, will be Dec 4, a Sat. Please contact Art/KW4AW if you can help with comms for this spectator festivity.

73 and here to serve YOU, See you Oct 18!

Cathy/AE4UM ☺

**"OLE VIRGINIA HAMS"
Post Office Box 1255
Manassas, VA. 20108**

OFFICERS

President: Cathy Whalen	AE4UM	335-1029
Vice Pres: Steve Frick	N4OGR	361-0008
Secretary: Lloyd DeLapp	N4OOM	791-4192
Treasurer: Bill South	N4WJN	448-2724

DIRECTORS

Don (Butch) Blasdel	W4HJL	369-2877
Art Whittum	KW4AW	791-4330
John Fritsch	N4YOB	791-5995

WEEKLY NETS

Thursdays - 8:00 PM	KV4AP (Jeff)	361-5865
Sundays - 8:00 PM	KF4FJD (Lisa)	330-1473

HAMFEST 2000

Jack	N4YIC	335-9139
------	-------	----------

FIELD DAY 1999

Bill	N4WJN	590-9562
Wes	N5RTY	368-8544

CLUB ROSTER

Blaine	KB4RKL	369-2877
--------	--------	----------

EDUCATION

Charlie	WA4YGI	361-3091
Bill	K4WRG	754-7913

CLUB EMERGENCY COORDINATOR

Brian	KE4NFK	257-9545
-------	--------	----------

ARES AREA EMERGENCY COORDINATOR

Erv	KT4DS	335-1029
-----	-------	----------

F.A.R. REP.

Ruth	KU4WH	331-1234
Mary Lu	KB4EFP	369-2877

FINANCE

Mike	WV3H	753-9346
Pete	KB4RME	369-2436
Mary Lu	KB4EFP	369-2877
Bill	N4WJN	590-9562

GENERATORS

Tommy	KA4AFU	369-2741
-------	--------	----------

HISTORIAN

T B D

HOME PAGE

Bill	N4WJN	590-9562
Blaine	KB4RKL	369-2877

J.O.T.A. (Scouts)

John	N4YOB	791-5995
------	-------	----------

MEMBERSHIP CHAIRMAN

TBD

NEWSLETTER

Steve	KB4OF	368-6901
-------	-------	----------

NEWSLINE

Jeff	KV4AP	3615865
------	-------	---------

PACKET

Alan	KD4KBX	330-8844
Bill	N4WJN	590-9562

PICNIC

Ellie	KF4NBO	361-8059
-------	--------	----------

PROGRAM'S

TBD

Q' MASTER

Jim	N3ODZ	361-2543
-----	-------	----------

REPEATER CONTROLLERS

Art	KW4AW	791-4330
Butch	W4HJL	369-2877
Milt	N4SN	369-7265
Mike	WV3H	753-9346
Steve	N4OGR	361-0008
Alan	KD4KBX	330-8844

REPEATER TRUSTEE

Art	KW4AW	791-4330
-----	-------	----------

SCHOLARSHIP

Jack	N4YIC	335-9139
------	-------	----------

SUNSHINE

Jan	KE4TMW	257-0897
-----	--------	----------

TECHNICAL COMMITTEE

Art	KW4AW	791-4330
Alan	KD4KBX	330-8844
Bill	N4WJN	590-9562
Butch	W4HJL	369-2877
Mike	WV3H	753-9346
Jimmy	WA2QEJ	

The OVH Times is the official publication of the "Ole Virginia Hams" ARC, a non-profit organization dedicated to the promotion and enhancement of Amateur Radio. The OVH ARC meets at 8:00 PM every third Monday of the month at the NOVEC Tech Center in Gainesville. Prospective members are invited.

Local information can always be obtained, at any time, through the usage of the OVH repeaters (146.97- & 224.660- Mhz). All are welcome.

Permission is hereby granted for the reprinting of articles and quotations in this letter, provided full credit is given to the OVH ARC, and the author of the article. Contribution of printed articles by both members and non-members is encouraged. The deadline for submissions is the 5th of each month. Submissions should be forwarded to OVH TIMES EDITOR: Steve Meade KB4OF, PO Box 1418, Manassas, VA 20108-1418, or to sameade@erols.com

Letters to the Editor and Classified Ads are accepted and welcome. Approx. Circulation - 170

OVHARC W4OVH REPEATER NEWS

All three repeaters were operational all month. We are still experiencing occasional interference from the two Pager systems (KUU0650:KA516 on 152.240 MHz and KNKB613 on 158.100 MHz). In addition, the approach of Autumn along with a few tropical storms and hurricanes is cranking up the troposphere and giving us more than our share of Dover, York and Virginia Beach all on 146.970. The ability to transmit CTCSS tones from each repeater will make life easier for us all. That capability is still being worked on.

It is good to see that the new cellular radiotelephone site installation, on the NOVEC tower just below our antennas, is not in the least bit interfering with our operations; and, so far, we have not caused any problems with their operation.

A new exciter board was received for the new 440 repeater (thanks to Warren Brooks, WB4DRI). Unfortunately, some installation problems occurred and that board is being examined for repairs. The technical committee will be reviewing 440 MHz duplexer requirements for the new repeater and purchase plans will be set in motion. Once everything is in place, W4OVH will be on air with higher power, more range and the Kenwood TKR-820 440 Repeater will be placed in back-up service.

73,
Art - KW4AW

An FYI:

Several organizations that hams support--either Club or ARES related--for the year 2000 are "going all out" to celebrate by putting on BIG events ie: perhaps a few hundred bikers vs the usual dozens we normally support. These futuristic needs can be met by pooling our resources (both human plus tools). So far, two annual spring events have such planning requests, so let's BE READY while appeasing Congress with our efforts for public service, as well.

Cathy/AE4UM

OVHARC Christmas Parade Support

Well, the stores are getting ready for winter with Halloween costumes on one side of the aisle and Christmas decorations on the other. That can mean only one thing. It's time to lubricate the cash register keys. No! That's not right. Anyhow, everyone uses throw-away computer keyboards now. No ... it's time to get ready for the Annual Manassas Christmas Parade. Operators that have supported this event in the past, get first preference for checkpoints this year. The first Saturday in December.

Our normal support role is to be there for communications support in an emergency and to help the parade marshals keep track of things. We pass along parade float information for message handling practice. The last several years have seen some changes - the parade marshals have their own hand-helds, but as you probably know - hand-helds won't cover the entire route, so higher antennas and higher power are needed at one end or the other.

It takes about twenty people to do the job. Normal meeting time (vicinity of old DMV building in Manassas Mall on Mathis Avenue) is 0830. The parade usually starts at 1030. Getting in place early is a must because the streets get blocked off by 0900. The next-to-last unit of the parade is Santa Claus; he usually makes it to the reviewing stand between 1330 and 1345.

So get an "up-front" view of the parade. Contact Art, KW4AW at kw4aw@iecc.org or kw4aw@n4wjn.nova.va.noam or 146.970 or (gasp) 703.791.4330.

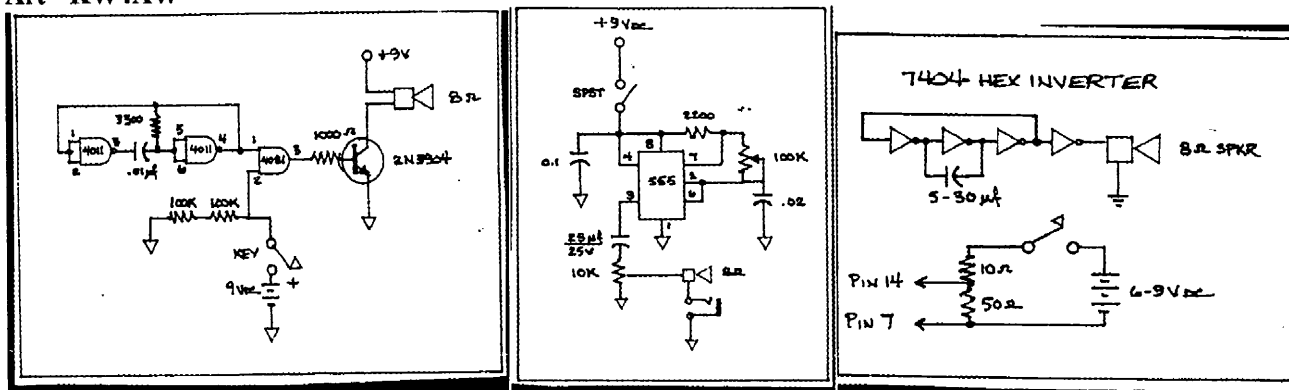
73,
Art, KW4AW

CW Fun

Well, we are still left hanging in anticipation of amateur radio license restructuring. Which way will it go? One thing is for sure - there are strong pointers toward a reduction in the code speed requirements for some license classes. That's fine. The entire world is drifting that way and entry requirements versus actual abilities and operations will vary like your mileage. So! Now you should take another look at that **dit-dah** stuff, right!? Why not - is fun. So anticipating a lot of questions like "How do I practice when no one will talk to me?" here are three ways to make a "go-beep" circuit to practice sending CW. They have been published before, I forget when. And, certainly, some are in the **Handbook** and other sources. But here they are, so you don't have to go any further. Just tear out the schematics and head for your junk box or **RadioShack** - or call that **KW4AW** character and ask him for some parts.

73,

Art - KW4AW



SUNSHINE CORNER

Happy October Birthday to KM4AA Keith, KD4VNH Matt, K0WYL Bob, W1IMX Doc, KU4WH Ruth, NS5N Jay, KA4AFU Tommy and KT4DS Erv.

Congratulations to Keith, KM4AA for earning his Extra Ticket!

Keep Jay NS5N and Maureen KE4GSZ in your thoughts during their 3-year stint in South Africa.

On a sad note, KD4IEA Jim reports that N3XT Tom Moyers is now a silent key. Tom was an avid Cwer and a member of Woodbridge Wireless.

Have a happy and safe autumn and enjoy the great weather!

73 de KE4TMW Jan

HF Packet Radio Operation

Have you heard any of these stations lately?

PY8TH	09/30/99 21:56:00, LW5DR	09/30/99 22:08:52
ZZ3LBK	09/30/99 22:14:45, PY2XW-8	09/30/99 22:35:59
FEMBBS-1	09/30/99 22:40:26, YAPBBS-1	09/30/99 22:40:41
PY2XW	09/30/99 22:48:43, LU6FEM	09/30/99 23:02:57
LU6FEM-4	09/30/99 23:07:26, PY3LK	09/30/99 23:15:53
LU3UBJ	09/30/99 23:36:23, LU7YAP	09/30/99 23:37:32
N4WJN-5	10/01/99 01:35:56, N4WJN	10/01/99 01:36:17
KW4AW*	10/01/99 01:40:12	

If not, you weren't on 28180 kHz LSB HF Packet at 1200 baud any time lately. And - AZSE (N7OO-10) with almost 75 other connection nodes available, is waiting on 28185 kHz USB HF Packet at 1200 baud.

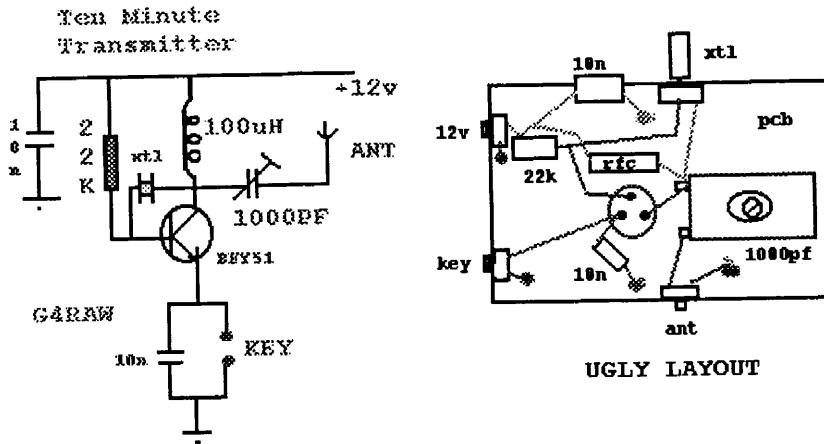
Just for a test, KW4AW connected to AZSE; then connected from there to NIHRAC through an internet connection; then from NIHRAC to OVH via 2 meters; and, from OVH to KA4CTX's PBBS. From Canova to Arizona to Maryland to Manassas, using HF, terrestrial Internet and VHF. Not very spectrum-efficient, but a lot of fun!

It's a little tougher to get used to than the two meter "set it and forget it" mode, but it doesn't take a kilowatt - in fact the above test was accomplished using 25W PEP to a three element yagi at 35 feet. The same path can be accessed from a ten meter half-wave dipole at about fifteen feet. Sunspot cycle reaching for peak? Now's the time to have some fun! Wondering how to get set up? Check the OVH web page or QSO Bill, N4WJN or Larry, KA4CTX.

73, Art KW4AW

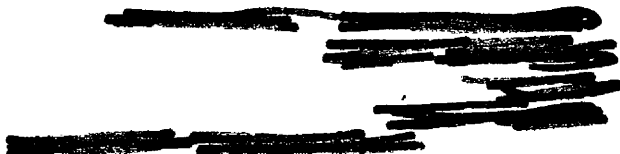
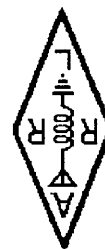
More CW Fun

For those of you with Novice, Tech Plus or beyond. Here's a real simple way to get on 80 meters. I found this at <http://www.homeusers.prestel.co.uk/g3ycc> homepage. There are a bunch of QRP operators out there having a lot of fun. So can you. Here's an 80 meter QRP rig that can be built in TEN MINUTES. At least that's the claim. The world record for building a rig and completing a QSO is less than 15 minutes, start to finish.



So I plan to try this as soon as a few other priorities get completed (like CTCSS Tone transmitting capability for the W4OVH repeaters. If anyone is interested, why not get a CW net started on 80 meters in the Novice sub-band and go for some low power Manassas/Prince William County QSOs?

73,
Art - KW4AW



FIRST CLASS MAIL



Ole Virginia Hams, A.R.C., Inc.
Post Office Box 1255
Manassas, VA 20108

MEETING: OCTOBER 18TH

8:00 PM

NORTHERN VIRGINIA ELECTRIC COOP

Gainesville Technical Center

5399 Wellington Road

Gainesville, Virginia

Program: VHF ANTENNAS

By: Mike/K3MT

Vienna Wireless Club

Don't Forget: J.O.T.A. (Boy Scouts)

"JAMBOREE ON THE AIR"

Saturday, October 16th -- Urbanna Swim Club

Contact: John / N4YOB